

FLECK

STAINLESS STEEL
METERS



WHY STAINLESS STEEL?



TRULY LEAD-FREE MATERIAL



RUST AND CORROSION RESISTANT



REDUCED INVENTORY

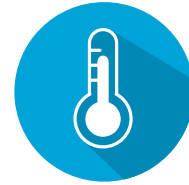


SINGLE AND MULTI-TANK SYSTEM COMPATIBILITY

BENEFITS



EASE OF INSTALLATION AND MAINTENANCE



HOT WATER APPLICATION

& FEATURES

- Truly lead-free 316 grade stainless steel material
- All-in-one electronic and mechanical flow sensing
- 1", 1.5" and 2" models are hot water rated to 65°C

CURRENT BRASS METER PART NUMBER

Brass Ref.	DESCRIPTION	Stainless Steel Ref.	DESCRIPTION
18391	Meter assy 1" Electronic	29089	Meter assy SS 1" BSP Mechanical 20 m ³ / Electronic
24198	Meter assy 1" 20 m ³	29090	Meter assy SS 1" BSP Mechanical 100 m ³
24197	Meter assy 1" 100 m ³	29091	Meter assy SS 1.5" BSP Mechanical 40 m ³ / Electronic
28076	Meter assy 1.5" Electronic 9500/2850/2910	29092	Meter assy SS 1.5" BSP Mechanical 200 m ³
18509	Meter assy 9500/2850/2910 1.5" 40 m ³	29094	Meter assy SS 2" BSP Mechanical 75 m ³ / Electronic
18508	Meter assy 9500/2850/2910 1.5" 200 m ³	29095	Meter assy SS 2" BSP Mechanical 375 m ³
18393	Meter assy 2" Electronic	29080	Meter assy SS 3" BSP Mechanical 240 m ³ / Electronic
24148	Meter assy 2" Standard (75 m ³)	29081	Meter assy SS 3" BSP Mechanical 1200 m ³
24149	Meter assy 2" Extended (375 m ³)	29096	Kit Meter assy 1" Stainless Steel NXT
25818	Meter assy 3" Standard (240 m ³) 3900	29097	Kit Meter assy 1.5" Stainless Steel NXT
27129	Meter assy 3" Electronic 3900	29098	Kit Meter assy 2" Stainless Steel NXT
25819	Meter assy 3" Extended (1200 m ³) 3900	29082	Kit Meter assy 3" Stainless Steel NXT
28283	Kit Meter assy 1" NT/NXT		
28284	Kit Meter assy 1.5" NT/NXT		
28285	Kit Meter assy 2" NT/NXT		
28286	Kit Meter assy 3" NT/NXT		

Please note

The following changes will affect your meter applications:

- ▶ Meter dimensions ▶ Plumbing dimensions ▶ Meter cable assembly

ELECTRONIC & ELECTRO MECHANICAL CONTROLS

Please note the following items

ELECTRONIC

- Control valves configured with an electronic control AND for use with a SS meter will include the BR19791-02 meter cable assembly.
- Control valves configured with an electronic control AND for use with a SS meter will include a SS union. A SS union is NOT required when the SS meter is used with an electronic control. SS union is optional and can be purchased separately.

ELECTRO MECHANICAL

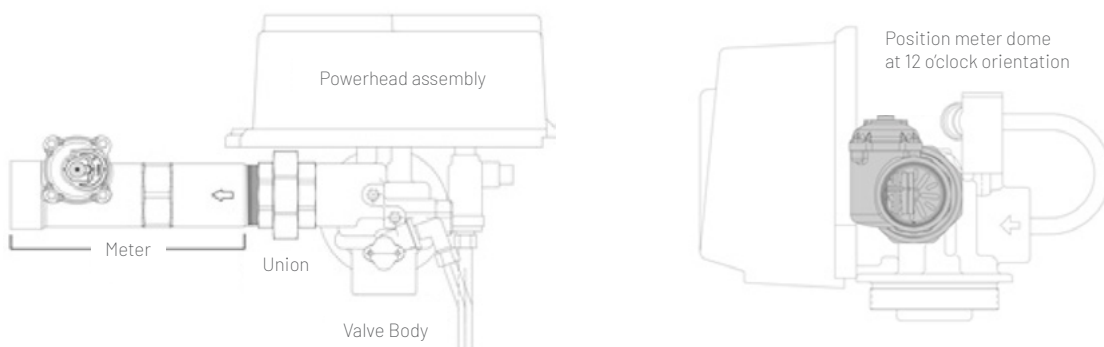
- Control valves configured with an electro mechanical control AND for use with a SS meter will include the SS union, mechanical meter cable and cable guide.
- SS union IS required when the SS meter is used with an electro mechanical control. The location of this SS union in relation to the control valve and SS water meter is critical for proper operation. Install the SS union between the control valve outlet and SS meter inlet. Do not omit or substitute this special SS union, as it locates the meter dome at the correct distance from the control valve and allows re-positioning the meter dome for proper operation. See illustration below for proper installation of the SS union and SS meter.

COMPARING METER DIMENSIONS

Plumbing modifications required for meter updates

Meter Pipe Size	Brass Meter Overall Length	Stainless Steel Meter				Union / Ref.
		Without Union		With Union		
		Overall Length	Difference	Overall Length	Difference	
mm	mm	mm	mm	mm	mm	
1"	269.2	205.7	-63.5	254.0	-15.2	44023
1.5"	289.6	218.4	-71.1	281.9	-7.6	44025
2"	287.0	259.1	-27.9	327.7	40.6	44027
3"	523.2	304.8	-218.4	N/A	N/A	not needed

Proper installation of the SS union and SS meter



METER CABLE ASSEMBLY

When replacing an existing electronic or electro mechanical brass meter with a stainless steel model, the meter cable will require replacement. Find the appropriate meter cable assembly from the cross reference tables below.

ELECTRONIC METER CABLE ASSEMBLY CROSS REFERENCE

Brass Meter		Stainless Steel Meter	
			
Part Number	DESCRIPTION	Part Number	DESCRIPTION
19121-08	Meter Cable SE/SXT 0.75 m	BR19791-02	Meter Cable Electronic 0.75 m
19121-09	Meter Cable NT/NXT 2.5 m	BR19791-04	Meter Cable Electronic 2.5 m
19121-10	Meter Cable NT/NXT 7.7 m	BR19791-05	Meter Cable Electronic 7.7 m

ELECTRO MECHANICAL METER CABLE ASSEMBLY CROSS REFERENCE

Meter Pipe Size	Valve	For brass meters		For stainless steel meters	
		Part Number	Length	Part Number	Length
			mm		mm
1"	2750	15513	444.5	15513	444.5
1.5"	2850	17741	419.1	15513	444.5
1.5"	9500	17744	527.1	17744	527.1
2"	2910	15216	387.4	15513	444.5
2"	3150	15513	444.5	17744	527.1
3"	3900	15513	444.5	15513	444.5

www.pentairaquaeurope.com