

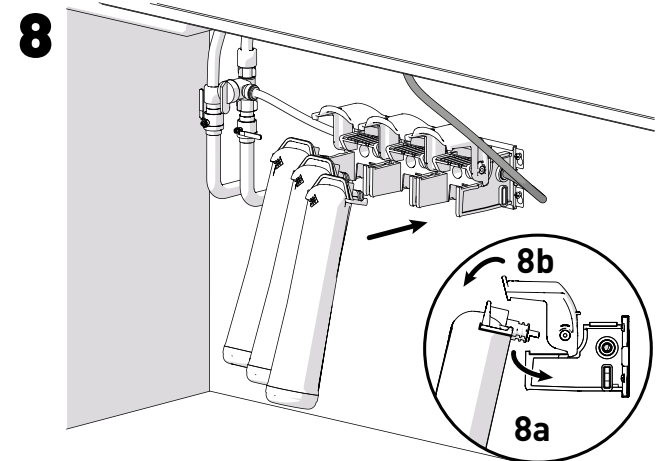
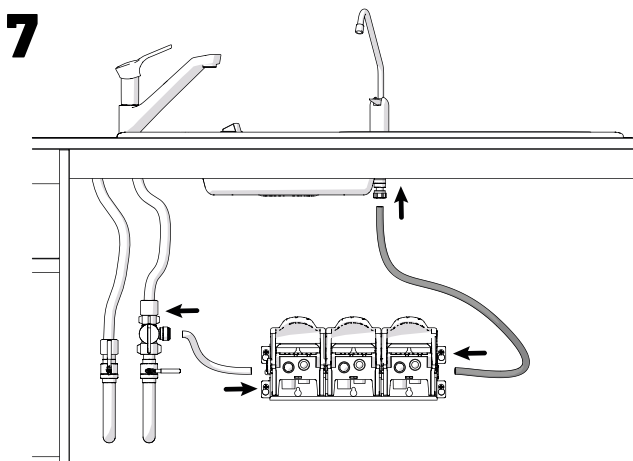
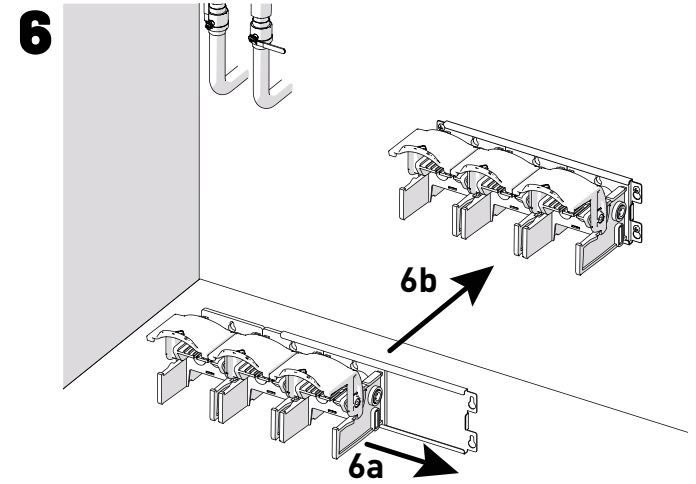
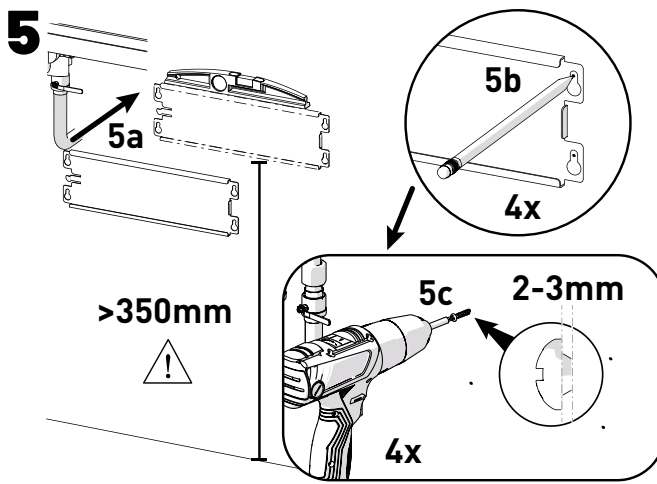
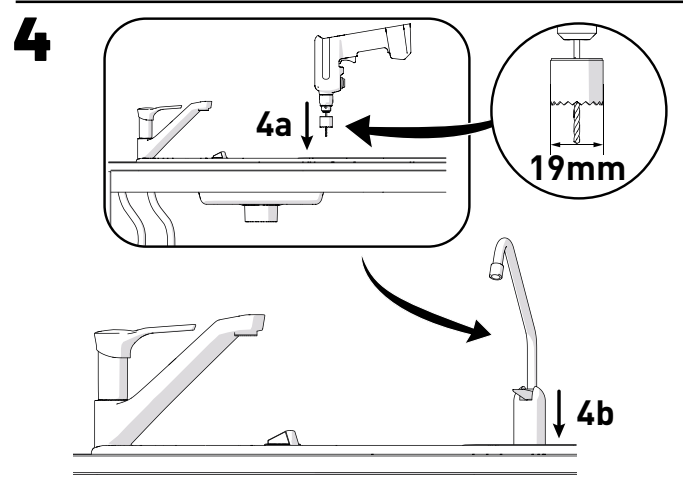
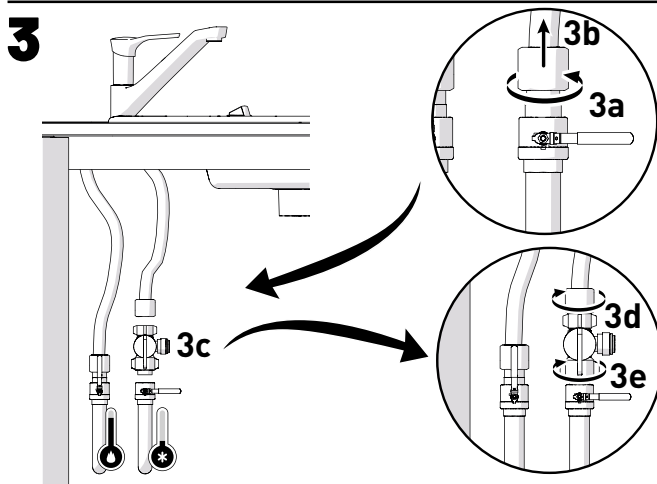
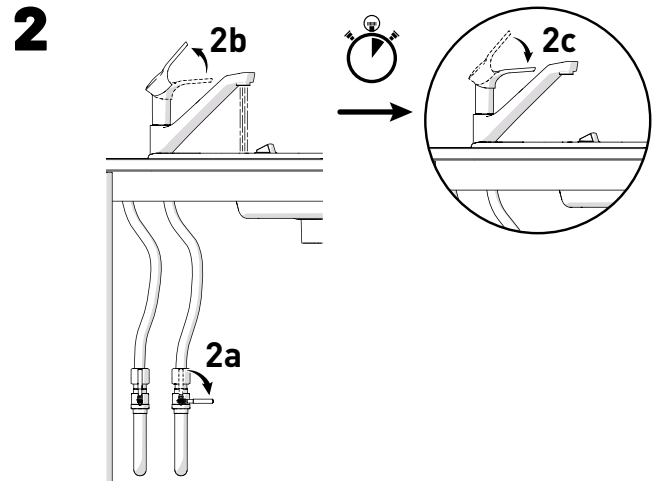
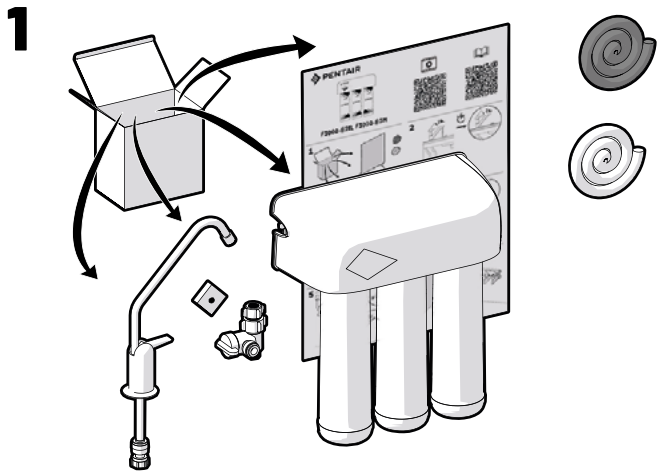


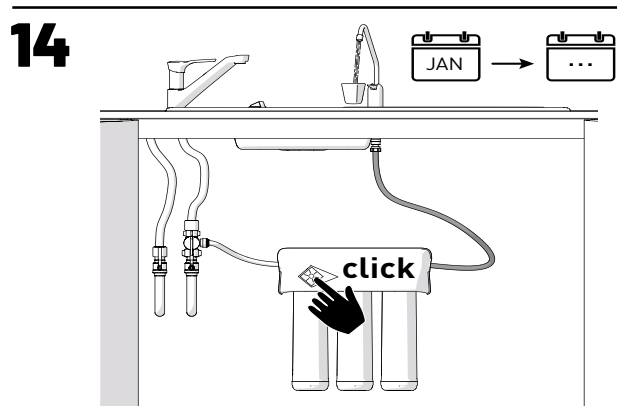
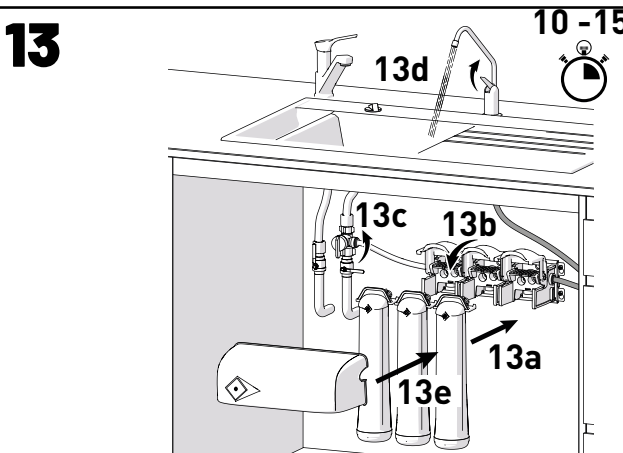
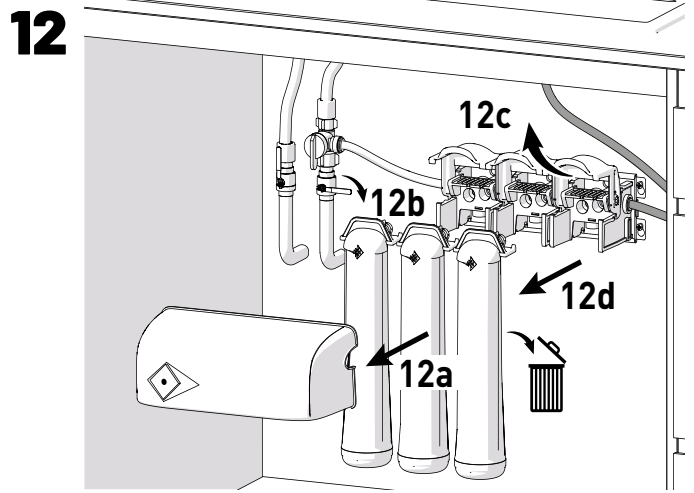
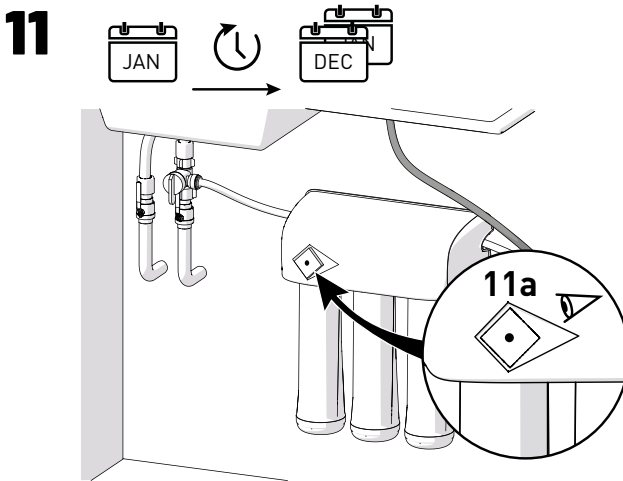
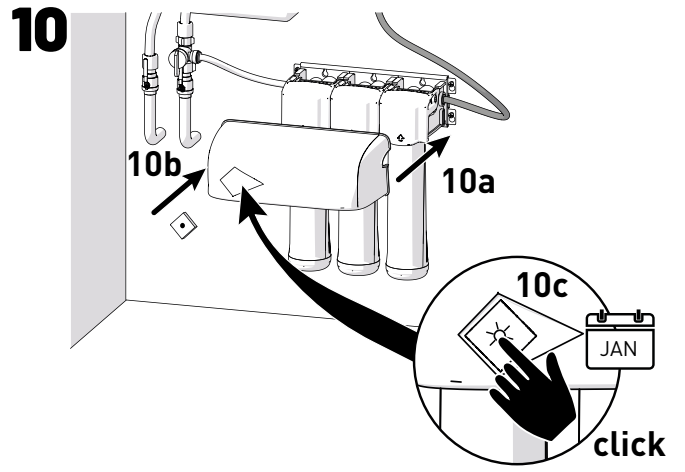
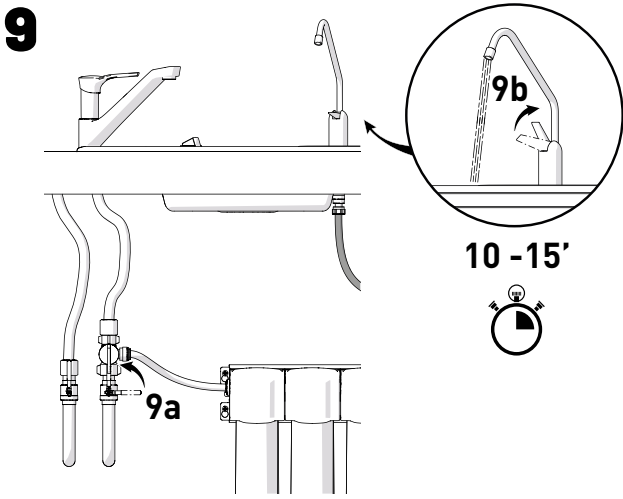
QUICK START GUIDE

# FRESHPOINT F3000

THREE-STAGE FILTRATION SYSTEM  
F3000-B2B, F3000-B2M









[www.pentair.eu](http://www.pentair.eu)

All indicated Pentair trademarks and logos are property of Pentair. Third party registered and unregistered trademarks and logos are the property of their respective owners.

MKT-QSG-001-EN-A © 2022 Pentair. All rights reserved.