



AC CARTRIDGE

DELIVERS PREMIUM QUALITY WATER FOR VENDING AND OCS APPLICATIONS

AC Replacement Cartridge:
EV9601-12



FEATURES • BENEFITS

- ◆ Provides clear, fresh, premium quality ingredient water for great tasting drinking water and cold cup beverages
- ◆ Everpure's unique filter blend using activated carbon reduces chlorine taste and odor and other offensive contaminants
- ◆ Precoat submicron technology reduces dirt and particles as small as 1/2 micron in size
- ◆ Reduces possible health contaminants such as asbestos fibers and Cryptosporidium and Giardia cysts
- ◆ Does not remove fluoride
- ◆ Sanitary cartridge replacement is simple, quick and clean. Internal filter parts are never exposed to handling or contamination
- ◆ NSF Certified under NSF/ANSI Standards 42 and 53

INSTALLATION TIPS

- ◆ Never use saddle valve for connection
- ◆ Use 3/8" water line
- ◆ Install vertically with cartridge hanging down
- ◆ Allow 2-1/2" clearance below the cartridge for easy cartridge replacement
- ◆ Flush AC cartridge by running water through filter for three minutes at full flow

OPERATION TIPS

- ◆ Change cartridges on a regular 6 month preventative maintenance program
- ◆ Change cartridges when capacity is reached or when pressure falls below 10 psi
- ◆ Service flow rate must not exceed 0.5 gpm
- ◆ Always flush the filter cartridge at time of installation and cartridge change

SIZING

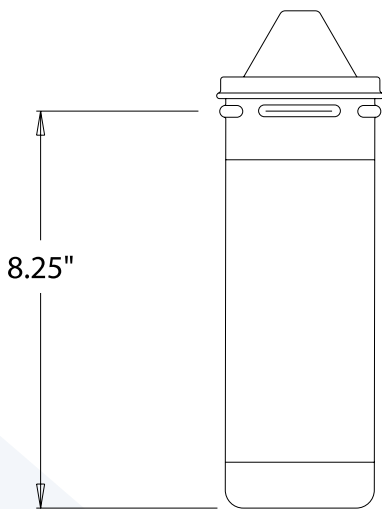
- ◆ For cold cup vending machine and OCS applications
- ◆ Capacity: 750 gallons (2.835 L)

AC CARTRIDGE

EV9601-12



AC Replacement Cartridge:
EV9601-12



SPECIFICATIONS

- ◆ **Overall Dimensions**
10"H x 4"W x 4"D
(25.4 cm H x 10.2 cm W x 10.2 cm D)
- ◆ **Inlet connection**
3/8" FPT
- ◆ **Outlet connection**
3/8"
- ◆ **Service Flow Rate**
Maximum 0.5 gpm (1.9 Lpm)
- ◆ **Pressure Requirements**
10 psi -125 psi (0.7 – 8.6 bar), non-shock
- ◆ **Maximum Temperature**
35°F - 100°F (2-38°C)

No electrical connection required

System tested and Certified by NSF International against NSF/ANSI Standard 42 and 53 for the reduction of:

**STANDARD NO. 42 –
AESTHETIC EFFECTS**

Chemical Unit
Taste and Odor Reduction
Chlorine Reduction

Mechanical Filtration Unit
Particulate Reduction,
Class I: 99,9+% reduction of
particles one-half micron
and larger in size

**STANDARD NO. 53 –
HEALTH EFFECTS**

Mechanical
Filtration
Turbidity
Reduction
Cyst Reduction
Asbestos
Reduction



Pentair trademarks and logos are owned by Pentair plc or its affiliates. For a detailed list of where Pentair trademarks are registered, please visit www.pentair.com/en/registrations.html. Third party registered and unregistered trademarks and logos are the property of their respective owners. Because we are continuously improving our products and services, Pentair reserves the right to change specifications without prior notice.

EV9601-12 JN22 ©2021 Pentair Filtration Solutions, LLC. All Rights Reserved.