

# 2FC-S FILTER CARTRIDGE

DELIVERS QUALITY WATER FOR STEAM  
AND COFFEE APPLICATIONS

2FC-S FILTER CARTRIDGE: (6 pk): EV9691-76



## APPLICATIONS

- ◆ Steam and combi ovens
- ◆ Coffee

## FEATURES • BENEFITS

- ◆ Increased capacity for chloramine reduction and robust equipment protection
- ◆ Integrated, beaded phosphate with levels specifically selected for greater life and scale inhibition
- ◆ Proprietary Pentair Everpure Fibredyne II filtration media effectively inhibits the growth of bacteria on the filter media that can decrease product life
- ◆ Exclusive Fibredyne II media provides chlorine taste & odor reduction and micro-filters dirt and particles as small as 0.2\* micron in size by mechanical means.
- ◆ Enhances beverage quality, consistency, and retains carbonation
- ◆ Protects drink system seals, pump, tubing and small orifices from clogging, corrosion and abrasive wear
- ◆ Compatible with Insurice, QC71 Single, QL1, and QL3B heads
- ◆ Easy, sanitary, quick-change filter replacement
- ◆ NSF/ANSI Standard 53 certified to reduce cysts such as Cryptosporidium and Giardia by mechanical means
- ◆ NSF Certified under NSF/ANSI Standards 42 and 53
- ◆ NSF Certified under NSF/ANSI Standards 42 and 53

## INSTALLATION TIPS

- ◆ Install vertically so cartridge hangs down.
- ◆ Allow 2½" (6.35 cm) clearance below the cartridge for easy cartridge replacement.
- ◆ Flush filter by running water through filter according to cartridge instructions.

## OPERATION TIPS

- ◆ Replace cartridge when flow rate becomes inconveniently slow or before rated capacity is reached. It is recommended to replace cartridge at least once per year.
- ◆ Change cartridges when capacity is reached or when pressure falls below 10 psi (0.7 bar).
- ◆ Service flow rate must not exceed 1.5 gpm (5.67 Lpm).
- ◆ Always flush the filter cartridge at time of installation and cartridge change.

## SIZING

- ◆ Service Flow Rate:  
Maximum 1.5 gpm (5.67 Lpm)
- ◆ Rated Capacity:  
6,000 gallons (22,712 L)

\* Validated by ISO 17025 accredited lab for 99.999% reduction of *Pseudomonas diminuta* following the ASTM F838-05 protocol for the validation of 0.2 µm sterilizing grade filters.

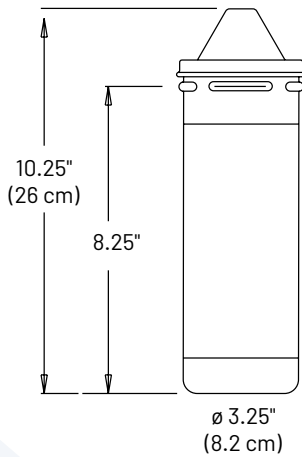
EPA Est. No. 002623-IL-002

# 2FC-S REPLACEMENT CARTRIDGE

EV9691-76



2FC-S Replacement Cartridge: (6 pk): EV9691-76



## SPECIFICATIONS

- ◆ **Service Flow Rate**  
Maximum 1.5 gpm (5.67 Lpm)
- ◆ **Rated Capacity**  
6,000 gallons (22,712 L)
- ◆ **Pressure Requirements**  
10 - 125 psi (0.7 - 8.6 bar), non-shock
- ◆ **Temperature**  
35 - 100°F (2 - 38°C)
- ◆ **Overall Dimensions**  
10.25" L x 3.25" D (26 cm x 8.2 cm)
- ◆ **Electrical Connection**  
None required



System Tested and Certified by NSF International against NSF/ ANSI Standards 42 and 53 for the reduction of:

STANDARD NO. 42 – AESTHETIC EFFECTS Bacteriostatic Effects Chemical Reduction Taste & Odor Chlorine	STANDARD NO. 53 – HEALTH EFFECTS Mechanical Filtration Cyst Turbidity
Mechanical Filtration Nominal Particulate Class I	

Pentair trademarks and logos are owned by Pentair plc or its affiliates. For a detailed list of where Pentair trademarks are registered, please visit [www.pentair.com/en/registrations.html](http://www.pentair.com/en/registrations.html). Third party registered and unregistered trademarks and logos are the property of their respective owners. Because we are continuously improving our products and services, Pentair reserves the right to change specifications without prior notice.

EV9691-76 AU21 ©2021 Pentair Filtration Solutions, LLC. All Rights Reserved.